

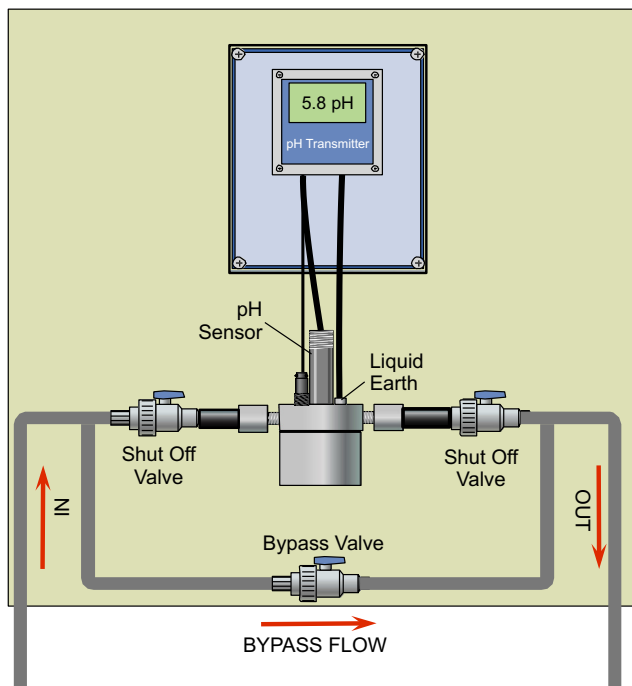


NEW PATENT - granted

REFEX™ System for Ultra Pure Water pH Measurement

The REFEX Ultra Pure Water pH System is designed to give reliable, continuous real time measurement of water quality in water purification and distribution systems. Designed to be operated as a side stream, the system is supplied complete with a purpose built flowcell assembly that houses the measurement electrodes.

REFEX reference and glass pH electrodes are provided. The robust "jumbo" reference sensor uses a highly stable non-porous polymeric interface instead of a traditional porous liquid junction as used by all conventional reference electrodes. The non-porous nature of the electrode interface prevents the loss of electrolyte into the flow stream, preventing the rapid degradation of the measurement and greatly reducing maintenance overhead and costly frequent replacement of "consumable" probes.



Equipment:

- 1 x EC-FT-3/4"BSP-5710- 5mm-TC Reference Electrode
- 1 x EC-FT-PG13.5-5610-25mm pH Electrode
- 1 x UPW Flow Cell
- 1 x UPW Bypass System
- 1 x pH Transmitter

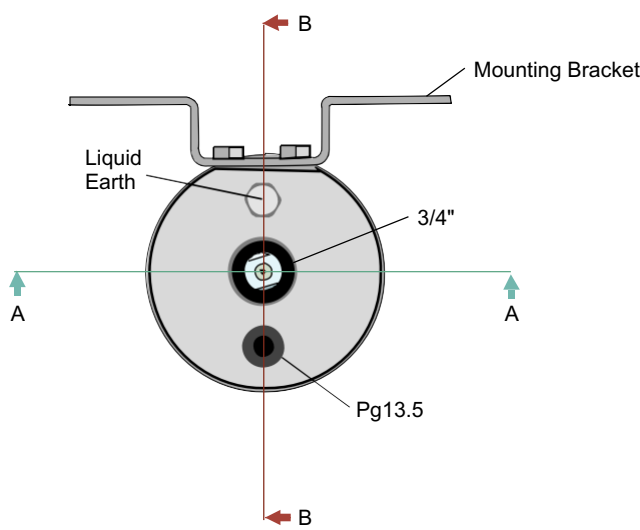
Accurate – Low Maintenance – Long Life

TRY-IT / BUY-IT!
free evaluation for new customers

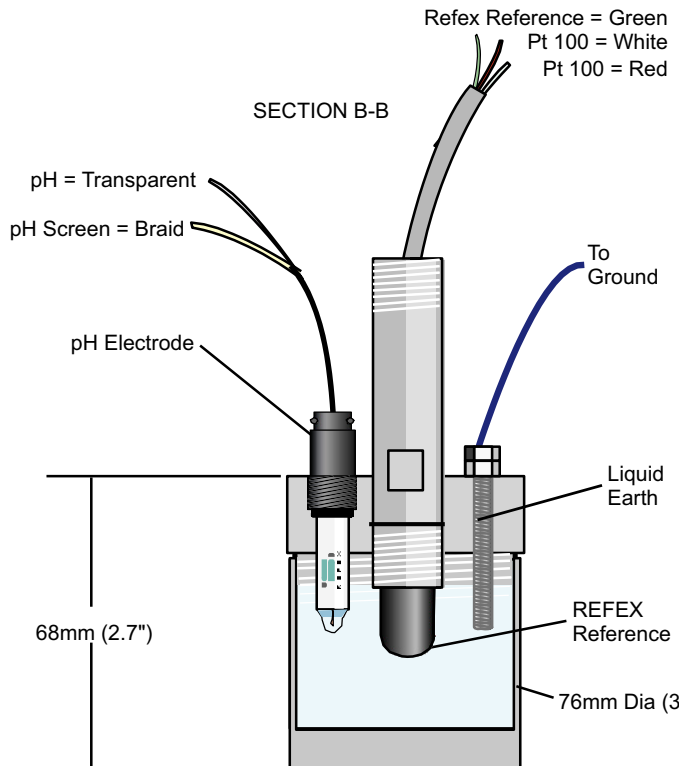
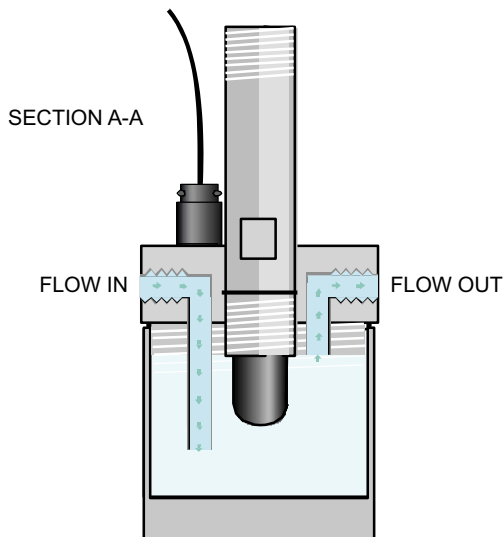
REFEX™
 sensors ltd



REFEX Stainless Steel Flow Cell for Ultra Pure Water pH Measurement



Wetted Surfaces:
316 Stainless Steel Flow Cell
pH Glass Electrode
Ryton Sensor Body
Viton 'O' Rings REFEX Reference



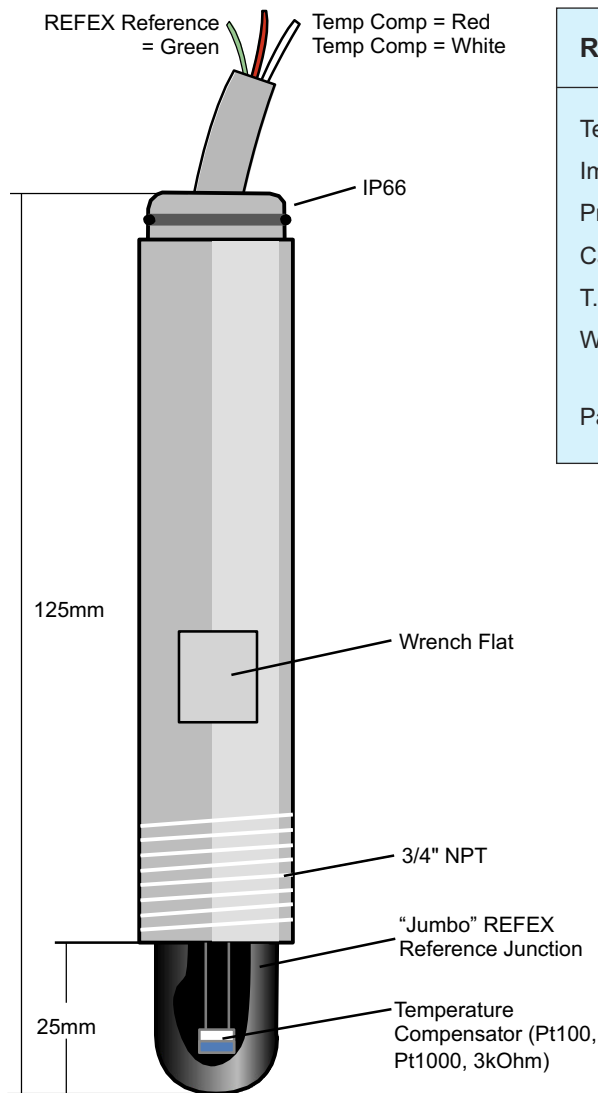
TRY-IT / BUY-IT!

free evaluation for new customers

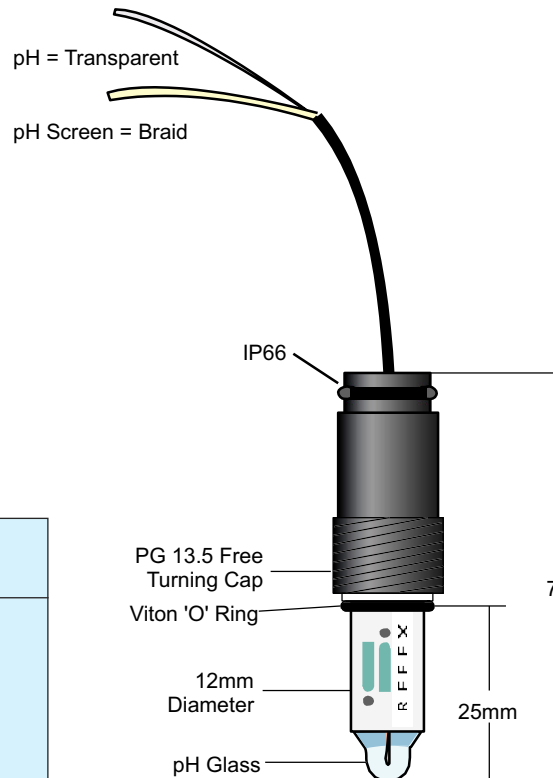
REFEX™
sensors ltd



REFEX Electrodes for Pure Water pH Measurement



REFEX "Jumbo" Reference Electrode:	
Temp Range	0 - 100 DegC
Impedance	<100 kΩ
Process Fitting	¾" NPT
Cable Options	Pt100, Pt1000, 3kΩ (please specify)
T.C. Options	EC-FT-PG13.5-5610-25mm
Wetted Surfaces	REFEX REFERENCE, RYTON BODY, VITON 'O' RING
Part No.	EC-FT-¾"NPT-5710-25mm



pH Glass Electrode
pH Range 0 - 12
Temp Range 0 - 100 DegC
Process Fitting PG 13.5
Cable Options 1m/3m/5m/10m (Please Specify)
Part No. EC-FT-PG13.5-5610-25mm

TRY-IT / BUY-IT!

free evaluation for new customers

REFEX[™]
sensors ltd



Applications: In-Line and Immersion Systems

- Potable Water Applications
- Optimized Coagulation
- Low Ionic Raw Water and Ultra Pure Water (UPW)
- All Oil & Gas Sour Water
- All Petrochemical Process Water
- Chlor-Alkali - Chlorinated and Waste Brines
- Food and Beverage - CIP and SIP
- Industrial Waste Water
- Waste Water Treatment
- Heavy Metal Processes
- Pulp and Paper

Advantages of Refex Non Porous Electrodes

- Protected Ag/AgCl reference half cell - REFEX barrier/interface prevents all liquid contact/exchange
- Resistant to fouling and poisoning
- Suitable for temperatures between 0...100°C
- Operates in pressures between full vacuum and 20 bar / 290 psi
- Instantaneous response to pH change
- Constant Eo zero - almost maintenance free
- Long electrode life - many times longer than all others
- Compatible with all modern pH instruments with dual high impedance inputs for pH and reference electrodes.
- No diffusion potential errors in low ionic waters
- No electrolyte refilling - sealed for life

REFEX sensors ltd.
Unit 7 Section 4 Newport Rd
Ind Estate Westport
Co. Mayo, Rep of Ireland

tel:+353 (0)98 50034
fax:+353 (0)98 50036
info@refexsensors.com
www.refexsensors.com

Bank details:
A I B, Shop St, Westport, Co. Mayo
Account Number: 03311024
Sort Code: 93 71 69 - Swift: AIBKIE2D

VAT Number: 6380870 I
Iban IE25 AIBK 9371 6903 311024

